

IMAR Ceilings



SPLASH CEILING

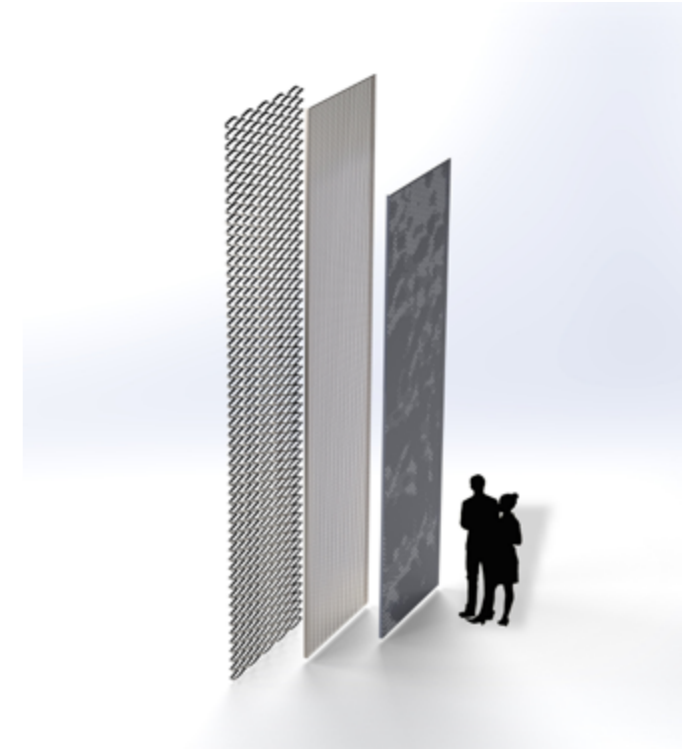
Splash ceiling is an engineered system for large-size tiles with Imar's Splash texture and concealed suspension

1 Acoustic Properties

Add fiberglass or PVC encased panel for increased sound absorption

2 Fire Rating

All ceiling panels and suspension systems are made either of steel or aluminum, which are noncombustible materials.



3 Sizes

- Panel width: 2' – 7 1/8" (791 mm) or 3' – 5" (1041 mm) and other by request
- Panel length: Up to 12' (3,658mm)

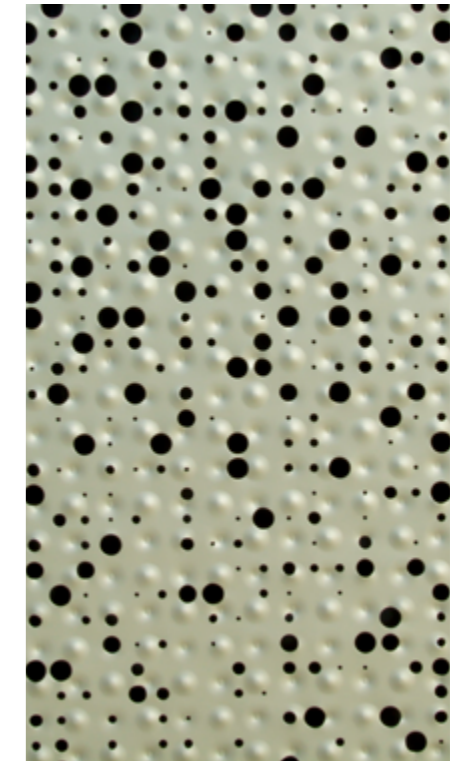
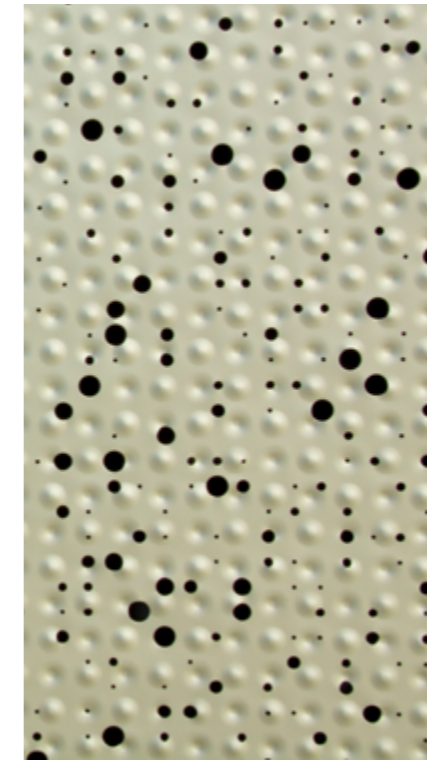
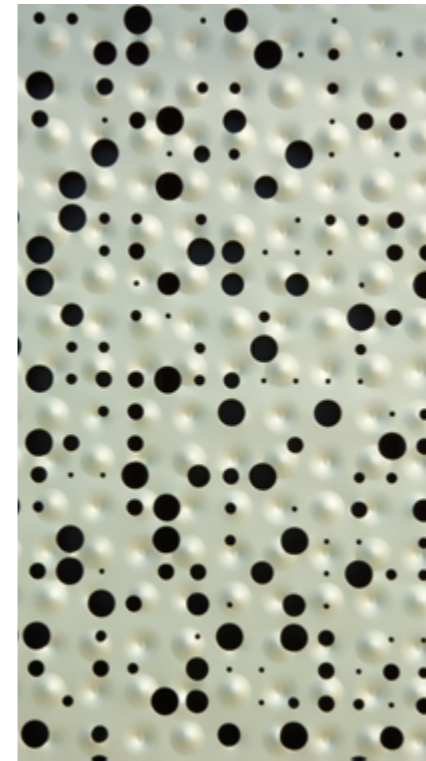
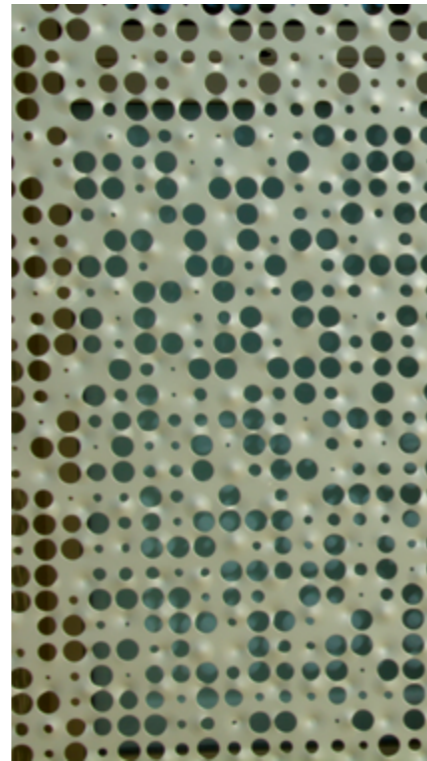
4 Materials

- 0.031" galvanized steel
- 0.031" stainless steel
- 0.059" aluminum



Texture

Splash texture combines round perforations of different sizes arranged in a rectilinear grid and inwards and outwards round stamping patterns. This creates a random texture that allows different open areas.



35% Open Area

23% Open Area

9% Open Area

Gradient

Finishes

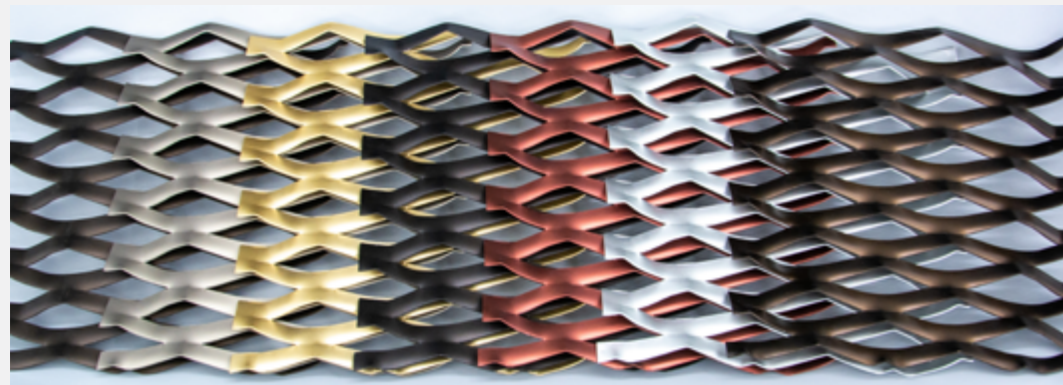
1 Polyester Powder Coat (Aluminum and Galvanized steel)

- RAL chart
- Imar colors
- Especial colors

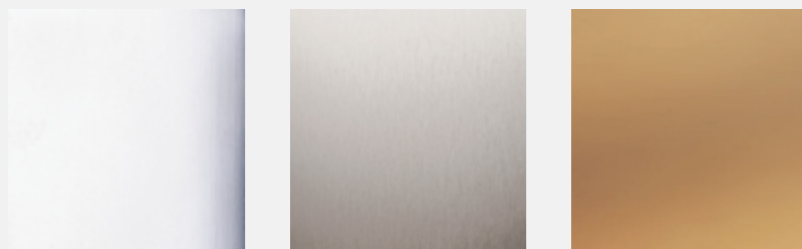


2 Anodized Aluminium

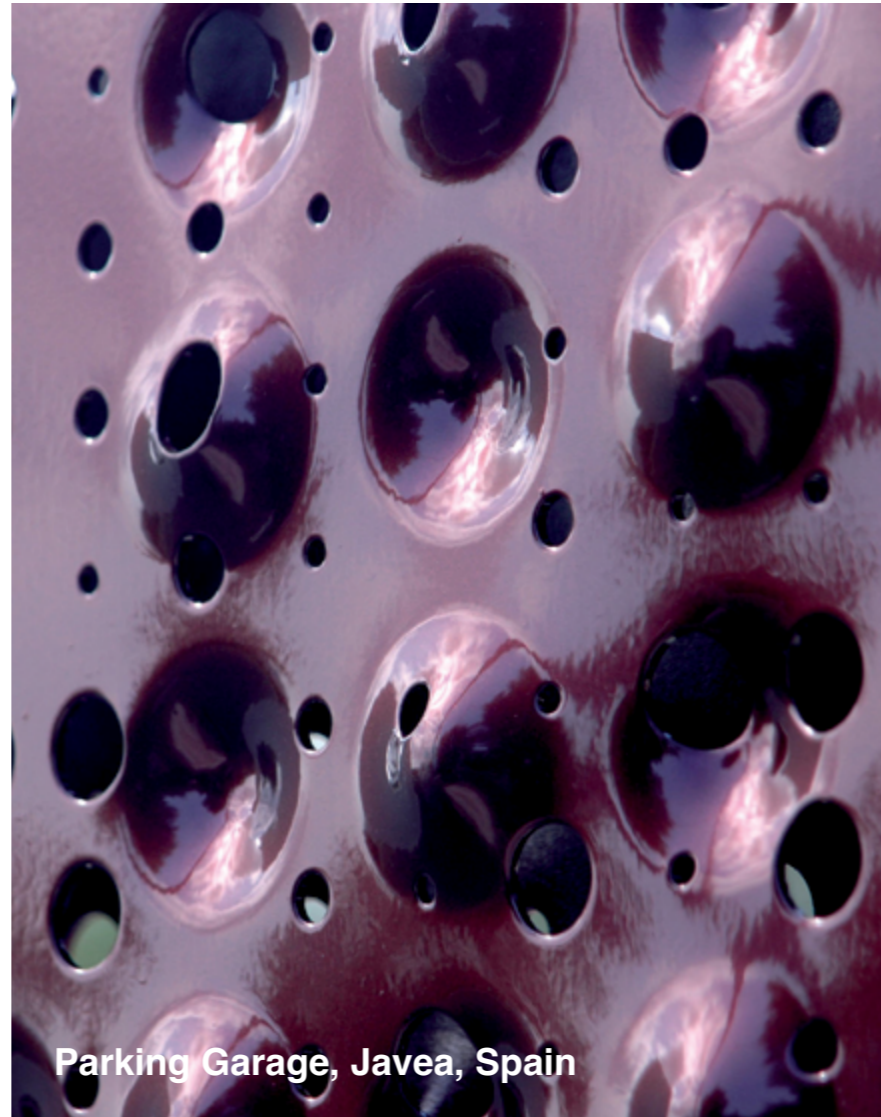
- | | |
|------------|------------|
| EXT Bronze | EXT Gold |
| EXT Silver | AN SQ 306 |
| EXT Inox | EXT Cooper |



3 Stainless steel



Mirror Bruished PVD Colored



Parking Garage, Javea, Spain



Detroit Opera House, USA

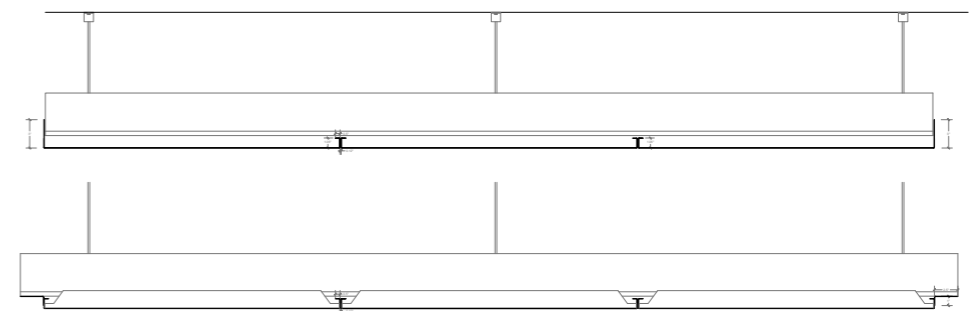
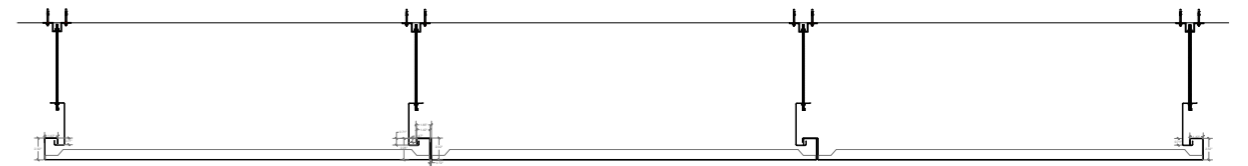
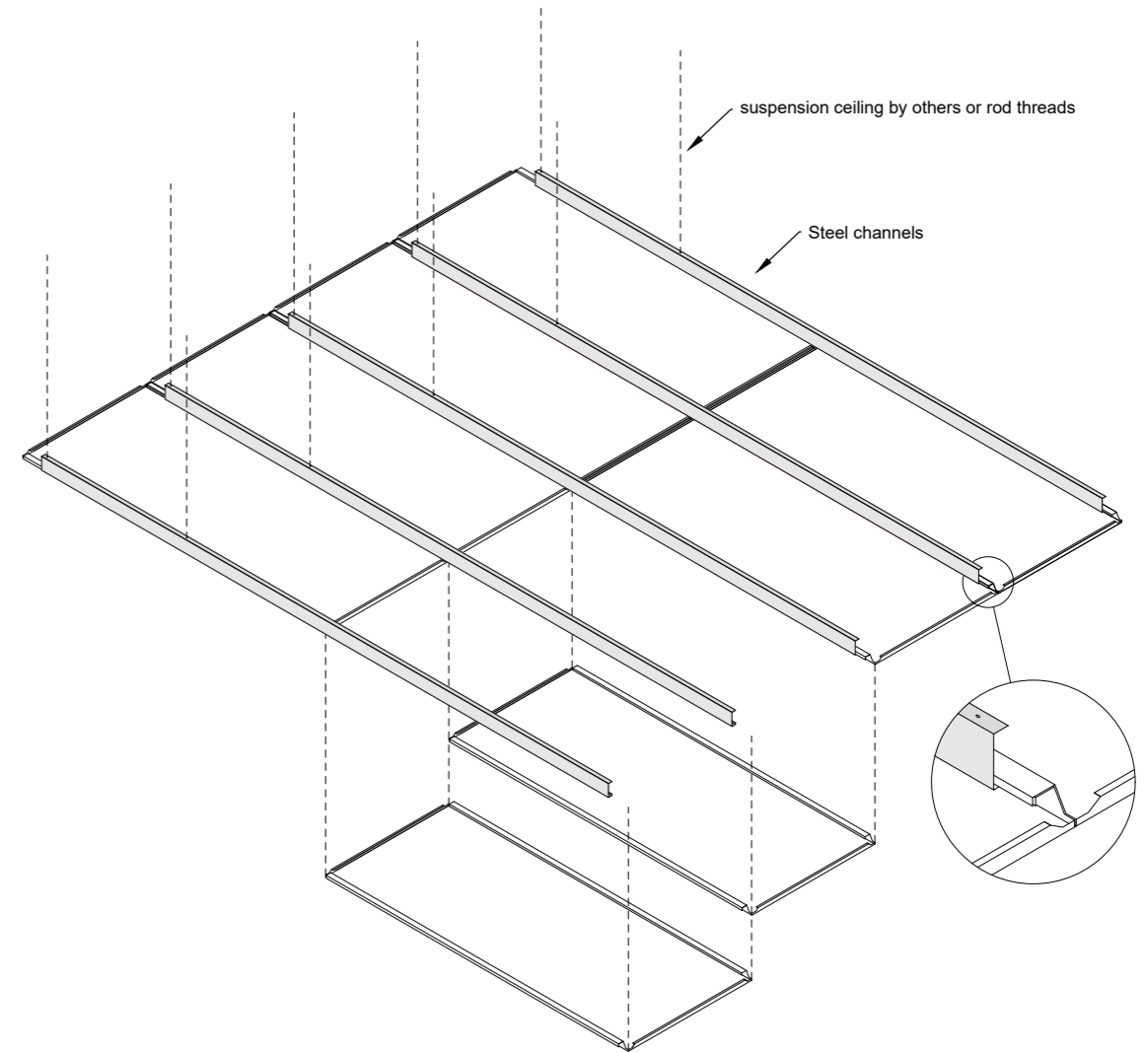
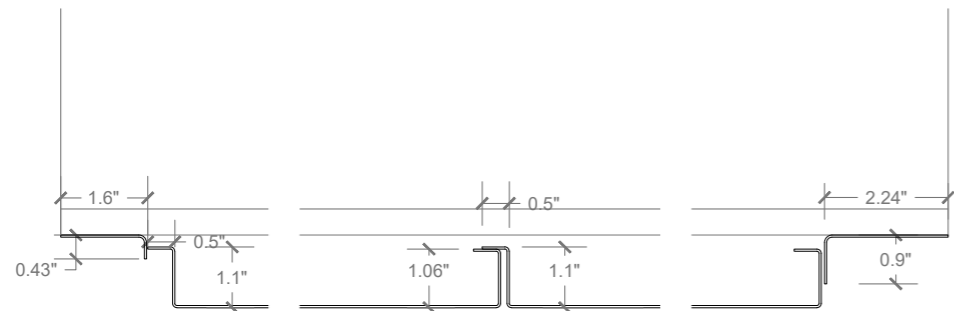
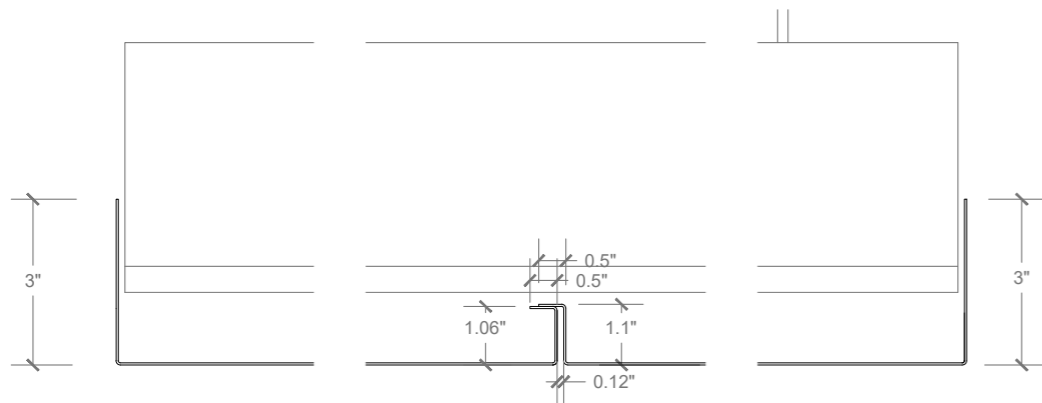
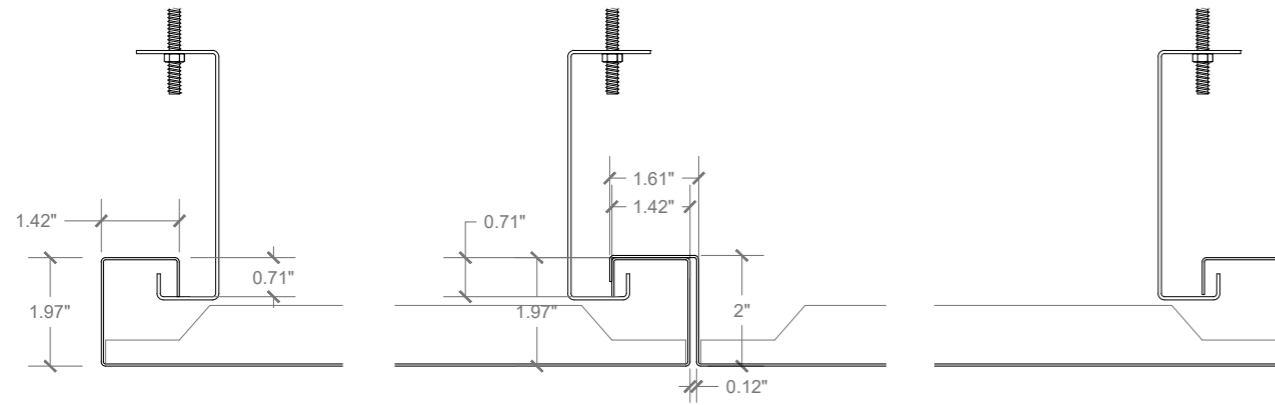


Soho Mall, Panama



Boulevard del Este, Panama

Concealed Suspension Systems





IMAR 

www.imar-innometal.com

Pol. Ind. Granada, AB1
E-48530 - Ortuella - Spain
imar@innometalgroup.com
T +34 944 970 111

Fábricas | Production Plants
Pol. Ind. Bayas, P40. E-09200
Miranda de Ebro
Pol. Ind. Granada, AB1. E-48530 Ortuella